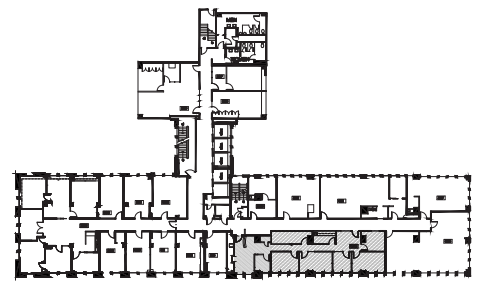
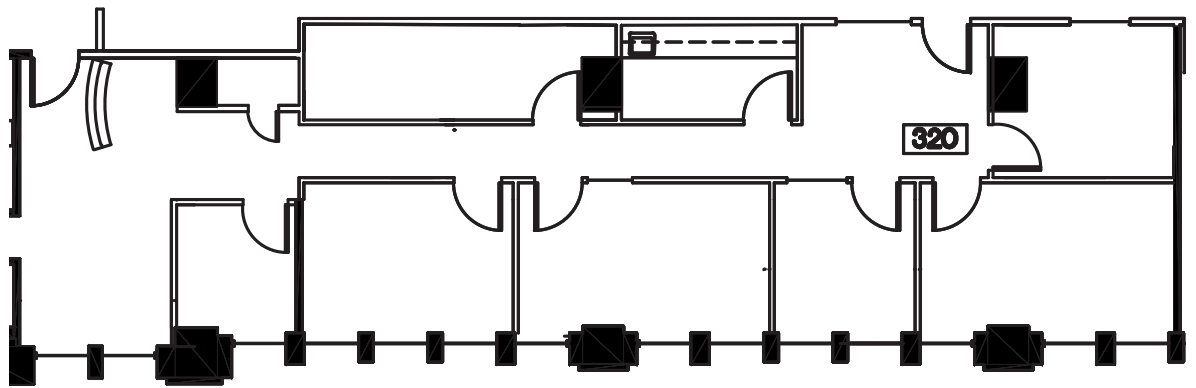




SUITE 320

1,795 RSF



KEY PLAN



LEAH MASSON

Senior Director
+1 206 215 9803
leah.masson@cushwake.com

BRANDON BURMEISTER

Senior Director
+1 206 215 9702
brandon.burmeister@cushwake.com

